

# Push-pull Connectors

Part No: 2BRGGD26CLAD62



[www.rlcables.com](http://www.rlcables.com)

## 2B Series 26-Cores , Straight plug



Technical parameter :

Mechanical Properties	
Shell style	Straight plug
Sheating material	Brass shell and collet nut , nickel plated. Brass latch sleeve and mid pieces
Colour	Grey
Locking method	Push-pull
Plug-and-play count	>5000 times
Temperature range	-55°C / +250°C
Water resistance level	IP50
Adapter cable	5.30-6.20mm

Electric properties	
Internal components	26 Pins
Conductor Structure	Brass gold plated
insulation	Peek
Conductor diameter	0.5 mm
Salt spray test	>144Hr
Maximum contact resistance	8.7 mOhm
Rated current	1.5 A
Test voltage ( Contact - Shell )	1.9 KV ( DC )

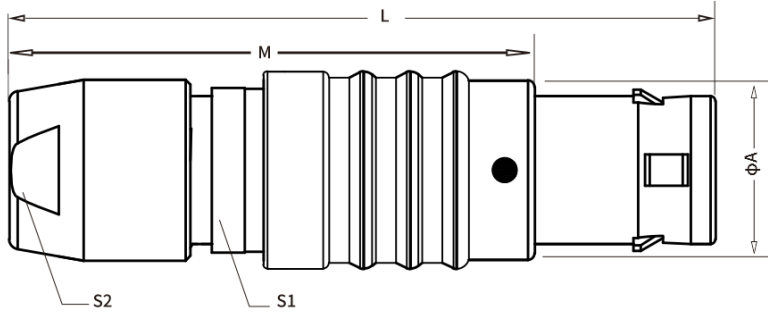
# Push-pull Connectors

Part No: 2BRGGD26CLAD62

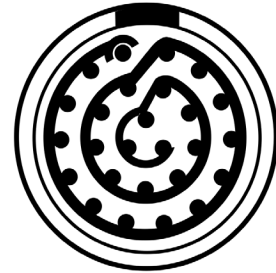


[www.rlcables.com](http://www.rlcables.com)

Drawing:



Insert Configuration  
Rear View



Size (mm)				
A	L	M	S1	S2
15.0	50.0	38.0	13.0	12.0