

Push-pull Connectors

Part No: 1BLGGD05CLL



www.rlcables.com

1B Series 5-Cores , Fixed receptacle



Technical parameter:

Mechanical Properties	
Shell style	Fixed receptacle
Sheating material	Brass shell and collet nut , nickel plated. Brass latch sleeve and mid pieces
Colour	Grey
Locking method	Push-pull
Plug-and-play count	>5000 times
Temperature range	-55°C / +250°C
Water resistance level	IP50
Adapter cable	1.00-10.60mm

Electric properties	
Internal components	5 Pins
Conductor Structure	Brass gold plated
insulation	Peek
Conductor diameter	0.9 mm
Salt spray test	>144Hr
Maximum contact resistance	4.8 mOhm
Rated current	9 A
Test voltage (Contact - Shell)	1.7 KV (DC)

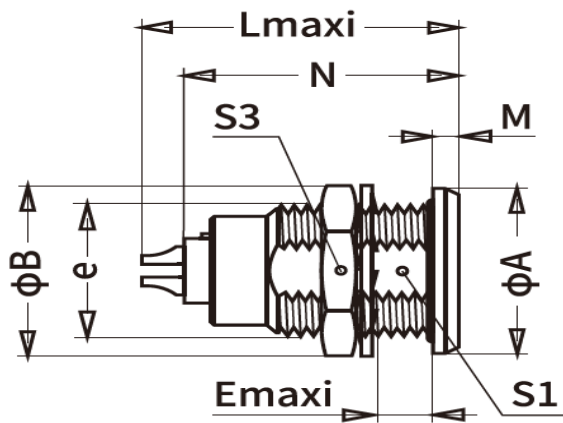
Push-pull Connectors

Part No: 1BLGGD05CLL

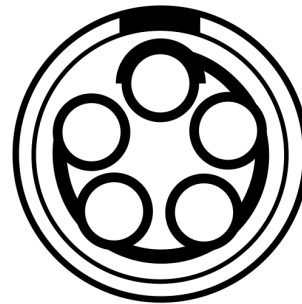


www.rlcables.com

Drawing:



Insert Configuration
Rear View



Size (mm)								
A	B	e	E	L	M	N	S1	S3
14.0	15.8	M12*1.0	7.5	23.0	1.5	21.1	10.5	14.0