

Push-pull Connectors

Part No: 0BRGGD04CLAD42Z



www.rlcables.com

0B Series 4-Cores , Straight plug , Sheath type



Technical parameter

| Mechanical Properties | |
|------------------------|---|
| Shell style | Straight plug |
| Sheating material | Brass shell and collet nut , nickel plated. Brass latch sleeve and mid pieces |
| Colour | Grey |
| Locking method | Push-pull |
| Plug-and-play count | >5000 times |
| Temperature range | -55° C / +250° C |
| Water resistance level | IP50 |
| Adapter cable | 3.30-4.20mm |

| Electric properties | |
|----------------------------------|-------------------|
| Internal components | 4 Pins |
| Conductor Structure | Brass gold plated |
| Insulation | Peek |
| Conductor diameter | 0.7mm |
| Salt spray test | >144Hr |
| Maximum contact resistance | 6.1 mOhm |
| Rated current | 7A |
| Test voltage (Contact - Shell) | 1KV(DC) |

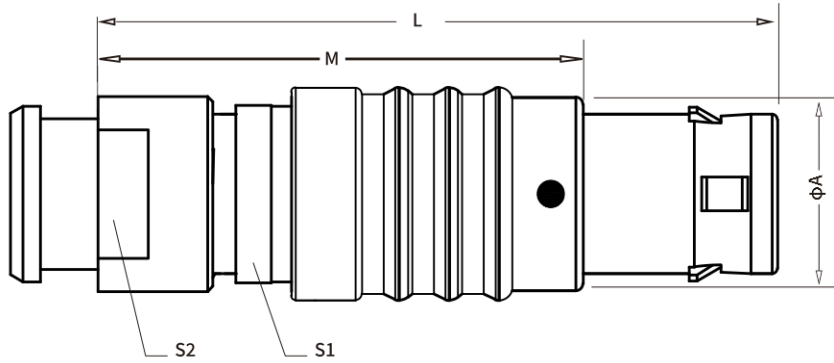
Push-pull Connectors

Part No: 0BRGGD04CLAD42Z



www.rlcables.com

Drawing



Insert Configuration
Rear View



| Size (mm) | | | | |
|-----------|------|------|-----|-----|
| A | L | M | S1 | S2 |
| 9.5 | 35.0 | 25.0 | 8.0 | 7.0 |