

# Push-pull Connectors

Part No: 1BRGGD04CLAD52



[www.rlcables.com](http://www.rlcables.com)

## 1B Series 4-Cores , Straight plug



### Technical parameter :

| Mechanical Properties  |   |
|------------------------|---|
| Shell style            | Straight plug   |
| Sheating material      | Brass shell and collet nut , nickel plated. Brass latch sleeve and mid pieces |
| Colour                 | Grey  |
| Locking method         | Push-pull   |
| Plug-and-play count    | >5000 times   |
| Temperature range      | -55° C / +250° C  |
| Water resistance level | IP50  |
| Adapter cable          | 4.30 - 5.20mm   |

| Electric properties              |                   |
|----------------------------------|-------------------|
| Internal components              | 4 Pins            |
| Conductor Structure              | Brass gold plated |
| Insulation                       | Peek              |
| Conductor diameter               | 0.9mm             |
| Salt spray test                  | >144Hr            |
| Maximum contact resistance       | 4.8 mOhm          |
| Rated current                    | 10A               |
| Test voltage ( Contact - Shell ) | 2KV ( DC )        |

# Push-pull Connectors

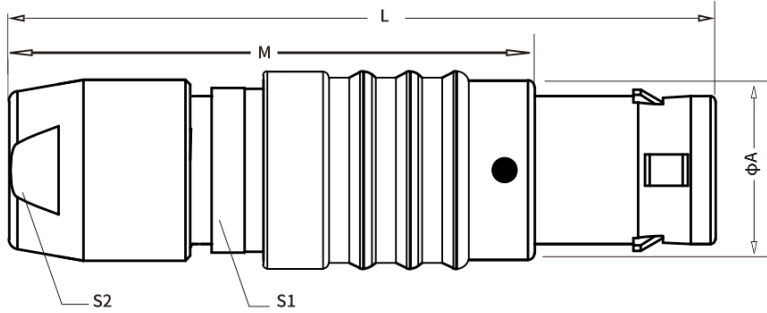
Part No: 1BRGGD04CLAD52



[www.rlcables.com](http://www.rlcables.com)

Drawing

Insert Configuration  
Rear View



| Size (mm) |      |      |      |     |
|-----------|------|------|------|-----|
| A         | L    | M    | S1   | S2  |
| 12.0      | 43.0 | 32.0 | 10.0 | 9.0 |