

# Push-pull Connectors

Part No: 0TRGGD07CLAC40



[www.rlcables.com](http://www.rlcables.com)

0T Series 7-Cores , Straight plug



## Technical parameter

Mechanical Properties	
Shell style	Straight plug
Sheating material	Brass shell and collet nut , nickel plated. Brass latch sleeve and mid pieces
Colour	Grey
Locking method	Push-pull
Plug-and-play count	>3000 times
Temperature range	-55° C / +200° C
Water resistance level	IP68
Adapter cable	3.60-4.00mm

Electric properties	
Internal components	7 Pins
Conductor Structure	Brass gold plated
Insulation	Peek
Conductor diameter	0.5 mm
Salt spray test	>144Hr
Maximum contact resistance	8.7 mOhm
Rated current	3 A
Test voltage ( Contact - Shell )	1 KV(DC)

# Push-pull Connectors

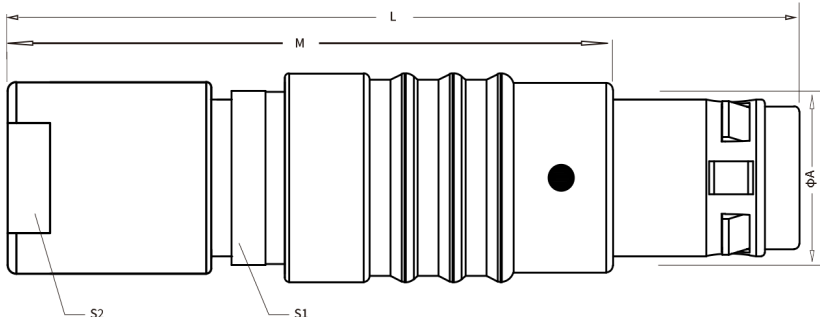
Part No: 0TRGGD07CLAC40



[www.rlcables.com](http://www.rlcables.com)

Drawing

Insert Configuration  
Rear View



Size (mm)				
A	L	M	S1	S2
9.5	39.0	29.0	7.5	7.0