

Push-pull Connectors

Part No: 0TRGGD09CLAC40



www.rlcables.com

0T Series 9-Cores , Straight plug



Technical parameter

| Mechanical Properties | |
|------------------------|---|
| Shell style | Straight plug |
| Sheating material | Brass shell and collet nut , nickel plated. Brass latch sleeve and mid pieces |
| Colour | Grey |
| Locking method | Push-pull |
| Plug-and-play count | >3000 times |
| Temperature range | -55° C / +200° C |
| Water resistance level | IP68 |
| Adapter cable | 3.60-4.00mm |

| Electric properties | |
|----------------------------------|-------------------|
| Internal components | 9 Pins |
| Conductor Structure | Brass gold plated |
| Insulation | Peek |
| Conductor diameter | 0.5 mm |
| Salt spray test | >144Hr |
| Maximum contact resistance | 8.7 mOhm |
| Rated current | 2.5 A |
| Test voltage (Contact - Shell) | 1.6 KV(DC) |

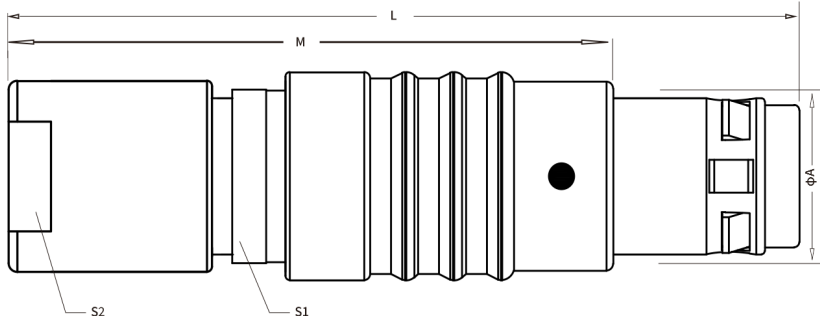
Push-pull Connectors

Part No: 0TRGGD09CLAC40



www.rlcables.com

Drawing



Insert Configuration
Rear View



| Size (mm) | | | | |
|-----------|------|------|-----|-----|
| A | L | M | S1 | S2 |
| 9.5 | 39.0 | 29.0 | 7.5 | 7.0 |