

Push-pull Connectors

Part No: 0WRVGD05CLAC50Z



www.rlcables.com

0W Series 5-Cores , Straight plug , Sheath type



Technical parameter

Mechanical Properties	
Shell style	Straight plug
Sheating material	Brass shell and collet nut , nickel plated. Brass latch sleeve and mid pieces
Colour	Grey
Locking method	Threaded
Plug-and-play count	>1000 times
Temperature range	-20° C / +200° C
Water resistance level	IP68
Adapter cable	4.60-5.00mm

Electric properties	
Internal components	5 Pins
Conductor Structure	Brass gold plated
Insulation	Peek
Conductor diameter	0.7mm
Salt spray test	>144Hr
Maximum contact resistance	6.1 mOhm
Rated current	6.5A
Test voltage (Contact - Shell)	700V(AC) 1000V (DC)

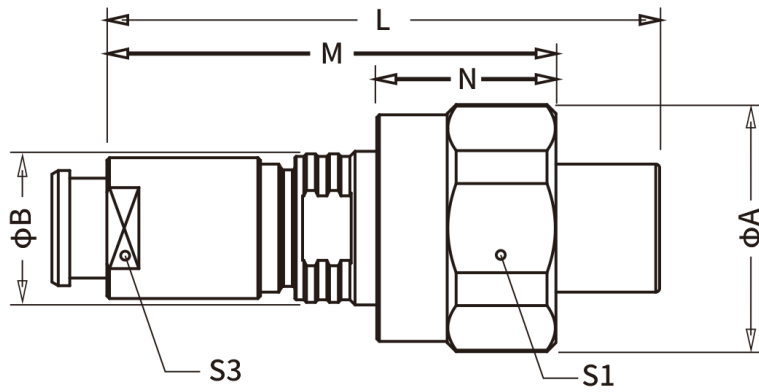
Push-pull Connectors

Part No: 0WRVGD05CLAC50Z



www.rlcables.com

Drawing



Insert Configuration
Rear View



Size (mm)

Size (mm)						
A	B	L	M	N	S1	S3
17.2	8.9	35.0	29.8	13.5	16.0	7.0