

Push-pull Connectors

Part No: TTRGGD04CLAC31



www.rlcables.com

TT Series 4-Cores , Straight plug



Technical parameter :

Mechanical Properties	
Shell style	Straight plug
Sheating material	Brass shell and collet nut , nickel plated. Brass latch sleeve and mid pieces
Colour	Grey
Locking method	Push-pull
Plug-and-play count	>3000 times
Temperature range	-55° C / +200° C
Water resistance level	IP68
Adapter cable	2.70-3.00mm

Electric properties	
Internal components	4 Pins
Conductor Structure	Brass gold plated
Insulation	Peek
Conductor diameter	0.5 mm
Salt spray test	>144Hr
Maximum contact resistance	8.7 mOhm
Rated current	2.5A
Test voltage (Contact - Shell)	0.9 KV (DC)

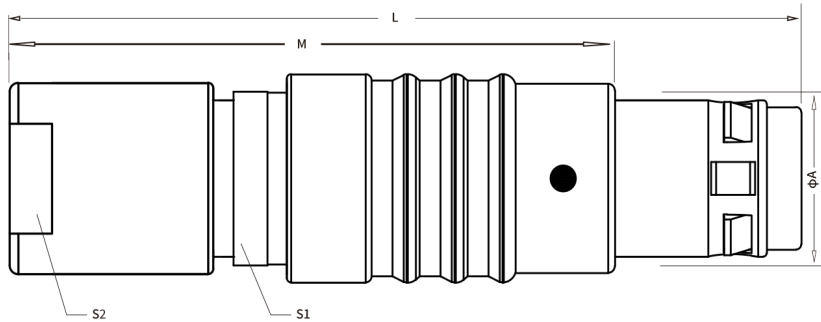
Push-pull Connectors

Part No: TTRGGD04CLAC31

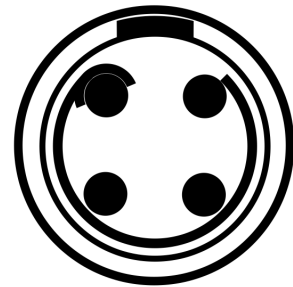


www.rlcables.com

Drawing



Insert Configuration
Rear View



Size (mm)				
A	L	M	S1	S2
7.0	33.2	25.2	5.5	5.0