

# Push-pull Connectors

Part No: 3TRGGD03CLAC85



[www.rlcables.com](http://www.rlcables.com)

## 3T Series 3-Cores , Straight plug



### Technical parameter :

Mechanical Properties	
Shell style	Straight plug
Sheating material	Brass shell and collet nut , nickel plated. Brass latch sleeve and mid pieces
Colour	Grey
Locking method	Push-pull
Plug-and-play count	>3000 times
Temperature range	-55° C / +200° C
Water resistance level	IP68
Adapter cable	8.10-8.50 mm

Electric properties	
Internal components	3 Pins
Conductor Structure	Brass gold plated
Insulation	Peek
Conductor diameter	2 mm
Salt spray test	>144Hr
Maximum contact resistance	3.3 mOhm
Rated current	25 A
Test voltage ( Contact - Shell )	2.1 KV ( DC )

# Push-pull Connectors

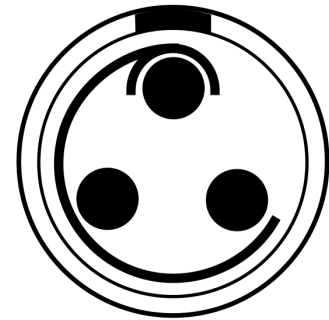
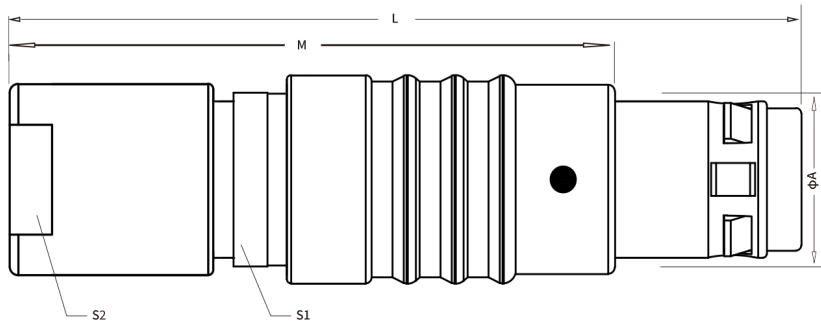
Part No: 3TRGGD03CLAC85



[www.rlcables.com](http://www.rlcables.com)

Drawing

Insert Configuration  
Rear View



Size (mm)				
A	L	M	S1	S2
18.8	64.0	49.0	16.0	14.0