

Push-pull Connectors

Part No: 3TLGGD03CLL



www.rlcables.com

3T Series 3-Cores , Fixed receptacle



Technical parameter :

Mechanical Properties	
Shell style	Fixed receptacle
Sheating material	Brass shell and collet nut , nickel plated. Brass latch sleeve and mid pieces
Colour	Grey
Locking method	Push-pull
Plug-and-play count	>3000 times
Temperature range	-55°C / +200°C
Water resistance level	IP68
Adapter cable	2.0-16.60 mm

Electric properties	
Internal components	3 Pins
Conductor Structure	Brass gold plated
insulation	Peek
Conductor diameter	2 mm
Salt spray test	>144Hr
Maximum contact resistance	3.3 mOhm
Rated current	25 A
Test voltage (Contact - Shell)	2.1 KV (DC)

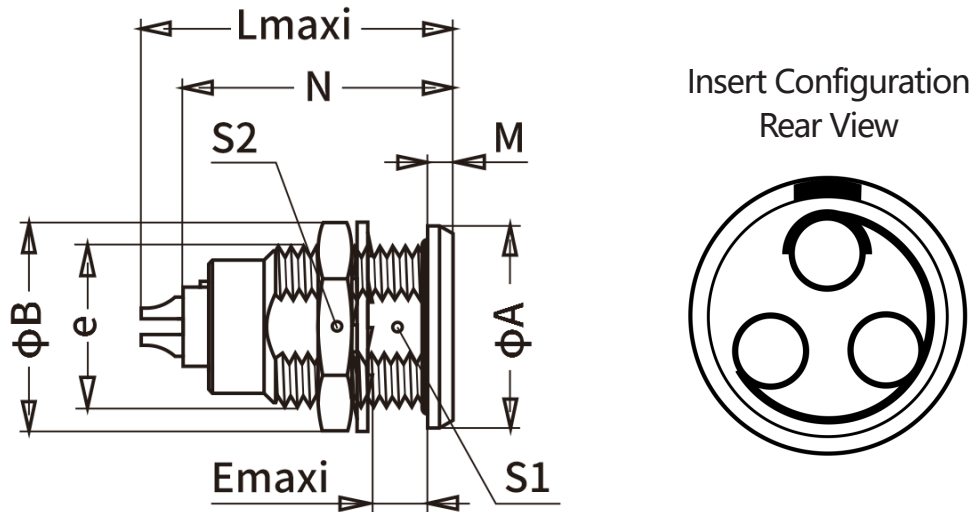
Push-pull Connectors

Part No: 3TLGGD03CLL



www.rlcables.com

Drawing:



Size (mm)								
A	B	e	E	L	M	N	S1	S2
23.5	25.1	M18*1.0	9.6	30.1	2.5	25.0	16.5	22.0