

Push-pull Connectors

Part No: 2TLLAD12CLL



www.rlcables.com

2T Series 12-Cores , Fixed receptacle



Technical parameter :

Mechanical Properties	
Shell style	Fixed receptacle
Sheating material	Brass shell and collet nut , nickel plated. Brass latch sleeve and mid pieces
Colour	Grey
Locking method	Push-pull
Plug-and-play count	>3000 times
Temperature range	-55°C / +200°C
Water resistance level	IP68
Adapter cable	1.00-12.60 mm

Electric properties	
Internal components	12 Pins
Conductor Structure	Brass gold plated
insulation	Peek
Conductor diameter	0.7 mm
Salt spray test	>144Hr
Maximum contact resistance	6.1 mOhm
Rated current	7 A
Test voltage (Contact - Shell)	2 KV (DC)

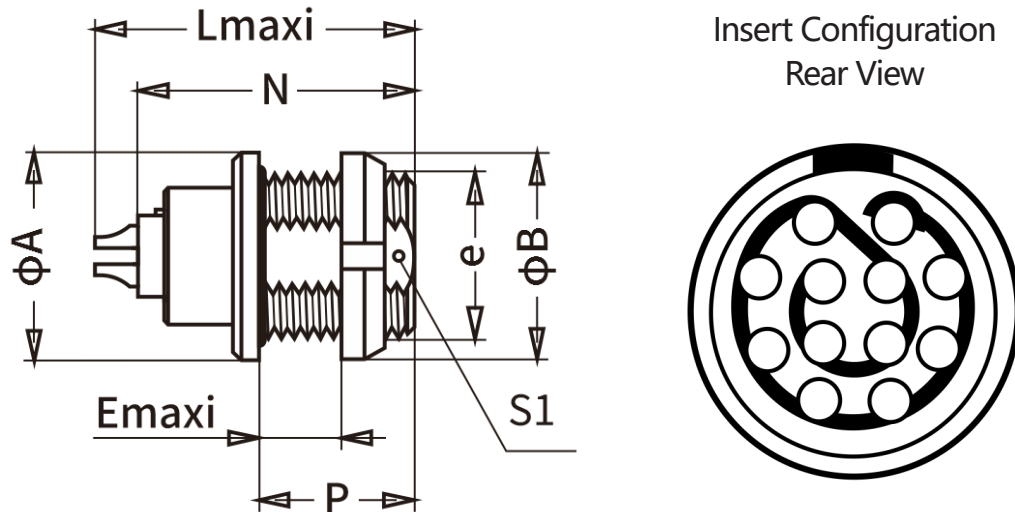
Push-pull Connectors

Part No: 2TLLAD12CLL



www.rlcables.com

Drawing:



Size (mm)							
A	B	e	E	L	N	P	S1
18.5	20.0	M15*1.0	7.5	26.5	24.6	11.0	13.5