

Push-pull Connectors

Part No: 2TRGGD10CLAC85Z



www.rlcables.com

2T Series 10-Cores , Straight plug , Sheath type



Technical parameter

Mechanical Properties	
Shell style	Straight plug
Sheating material	Brass shell and collet nut , nickel plated. Brass latch sleeve and mid pieces
Colour	Grey
Locking method	Push-pull
Plug-and-play count	>3000 times
Temperature range	-55° C / +200° C
Water resistance level	IP68
Adapter cable	8.10-8.50mm

Electric properties	
Internal components	10 Pins
Conductor Structure	Brass gold plated
Insulation	Peek
Conductor diameter	0.9 mm
Salt spray test	>144Hr
Maximum contact resistance	4.8 mOhm
Rated current	8 A
Test voltage (Contact - Shell)	1.9 KV(DC)

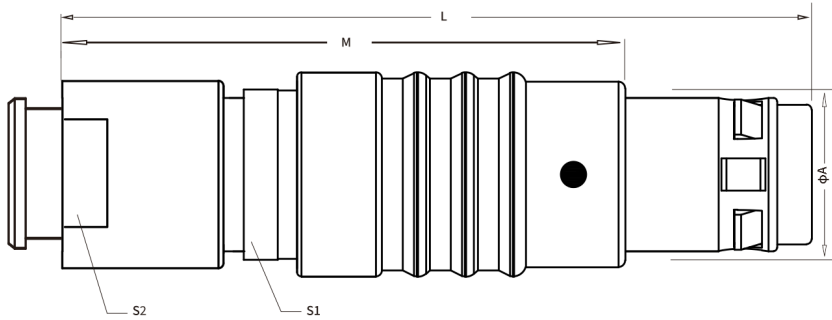
Push-pull Connectors

Part No: 2TRGGD10CLAC85Z

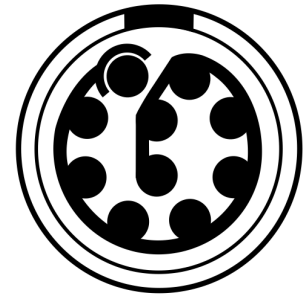


www.rlcables.com

Drawing



Insert Configuration
Rear View



Size (mm)				
A	L	M	S1	S2
15.0	54.0	42.0	14.0	12.0