

Push-pull Connectors

Part No: 2TRGGD12CLAC80



www.rlcables.com

2T Series 12-Cores , Straight plug



Technical parameter :

Mechanical Properties	
Shell style	Straight plug
Sheating material	Brass shell and collet nut , nickel plated. Brass latch sleeve and mid pieces
Colour	Grey
Locking method	Push-pull
Plug-and-play count	>3000 times
Temperature range	-55° C / +200° C
Water resistance level	IP68
Adapter cable	7.60-8.00 mm

Electric properties	
Internal components	12 Pins
Conductor Structure	Brass gold plated
Insulation	Peek
Conductor diameter	0.7 mm
Salt spray test	>144Hr
Maximum contact resistance	6.1 mOhm
Rated current	7 A
Test voltage (Contact - Shell)	2 KV (DC)

Push-pull Connectors

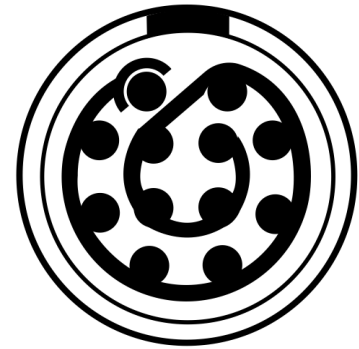
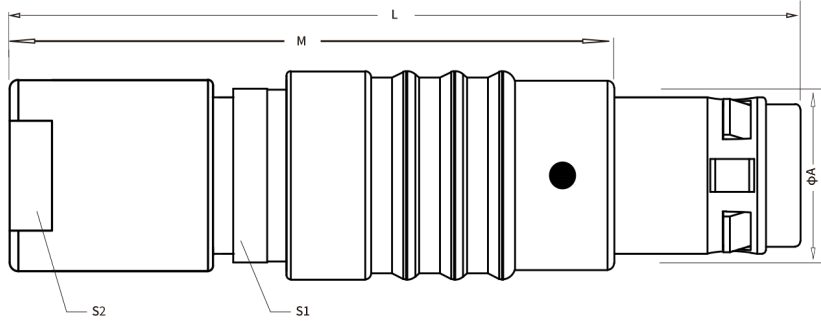
Part No: 2TRGGD12CLAC80



www.rlcables.com

Drawing

Insert Configuration
Rear View



Size (mm)				
A	L	M	S1	S2
15.0	55.0	43.0	14.0	12.0