

# Push-pull Connectors

Part No: 2BRGGD02CLAD52Z



[www.rlcables.com](http://www.rlcables.com)

2B Series 2-Cores , Straight plug , Sheath type



## Technical parameter

| Mechanical Properties  |   |
|------------------------|---|
| Shell style            | Straight plug   |
| Sheating material      | Brass shell and collet nut , nickel plated. Brass latch sleeve and mid pieces |
| Colour                 | Grey  |
| Locking method         | Push-pull   |
| Plug-and-play count    | >5000 times   |
| Temperature range      | -55° C / +250° C  |
| Water resistance level | IP50  |
| Adapter cable          | 4.30 - 5.20mm   |

| Electric properties              |                   |
|----------------------------------|-------------------|
| Internal components              | 2 Pins            |
| Conductor Structure              | Brass gold plated |
| Insulation                       | Peek              |
| Conductor diameter               | 2 mm              |
| Salt spray test                  | >144Hr            |
| Maximum contact resistance       | 3.3 mOhm          |
| Rated current                    | 20.5 A            |
| Test voltage ( Contact - Shell ) | 2.9 KV(DC)        |

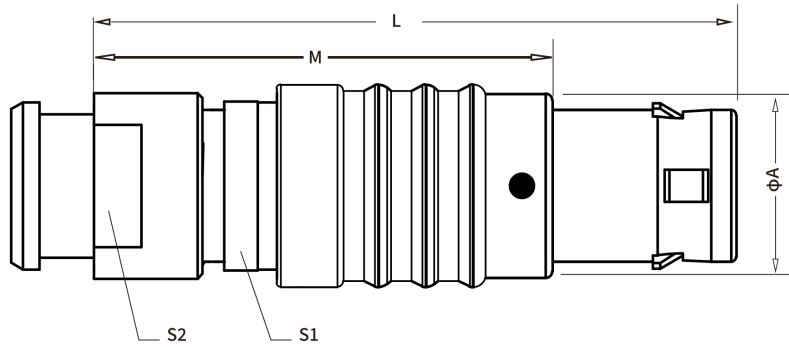
# Push-pull Connectors

Part No: 2BRGGD02CLAD52Z



[www.rlcables.com](http://www.rlcables.com)

Drawing



Insert Configuration  
Rear View



| Size (mm) |      |      |      |      |
|-----------|------|------|------|------|
| A         | L    | M    | S1   | S2   |
| 15.0      | 49.0 | 37.0 | 13.0 | 12.0 |