

# Push-pull Connectors

Part No: 1TRGGD05CLAC50Z



[www.rlcables.com](http://www.rlcables.com)

1T Series 5-Cores , Straight plug , Sheath type



## Technical parameter

Mechanical Properties	
Shell style	Straight plug
Sheating material	Brass shell and collet nut , nickel plated. Brass latch sleeve and mid pieces
Colour	Grey
Locking method	Push-pull
Plug-and-play count	>3000 times
Temperature range	-55° C / +200° C
Water resistance level	IP68
Adapter cable	4.60-5.00mm

Electric properties	
Internal components	5 Pins
Conductor Structure	Brass gold plated
Insulation	Peek
Conductor diameter	0.9 mm
Salt spray test	>144Hr
Maximum contact resistance	4.8 mOhm
Rated current	9 A
Test voltage ( Contact - Shell )	1.7 KV(DC)

# Push-pull Connectors

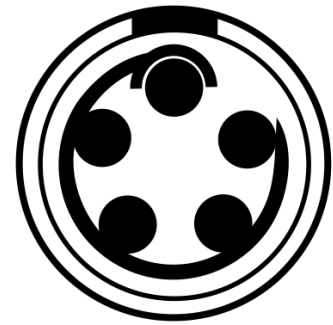
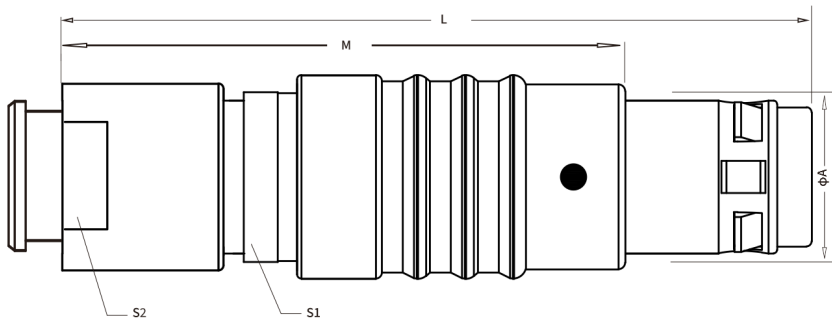
Part No: 1TRGGD05CLAC50Z



[www.rlcables.com](http://www.rlcables.com)

Drawing

Insert Configuration  
Rear View



Size (mm)				
A	L	M	S1	S2
12.0	45.0	34.0	11.0	9.0